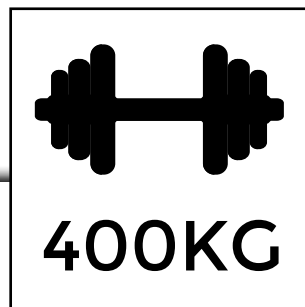
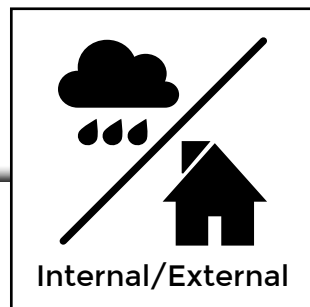
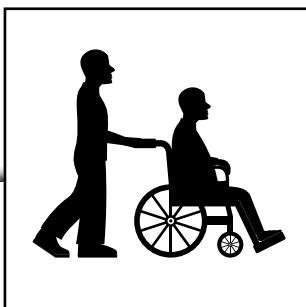


# Hydraulic Platform Lift

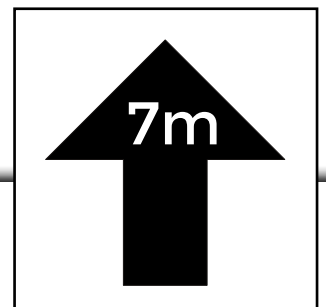


## Features

- Internal and external applications
- 900mm wide X 1400mm long platform
- 1100mm wide X 1400mm long platform
- Glazed lower landing door
- Glazed upper landing gate or full height upper landing door
- Optional centre opening door and gate
- 400Kg capacity
- External application IP65 rated, Stainless steel powder coated finish



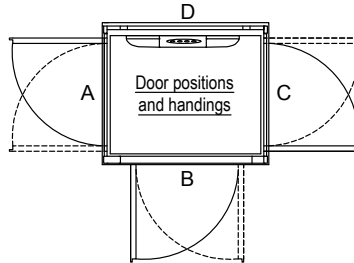
400KG



**TYPICAL DRAWING ONLY**  
NOT TO BE USED FOR CONSTRUCTION

**SHORT TRAVEL**  
**PLATFORM LIFT**

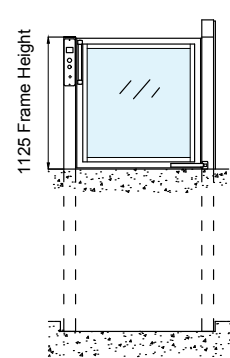
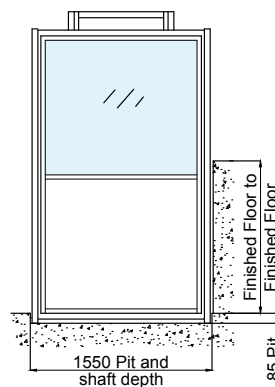
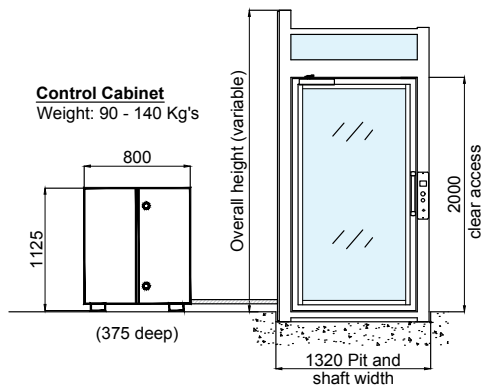
Platform Size	Footprint
900 (W) x 1400 (D)	1120 (W) x 1550 (D)
1100 (W) x 1400 (D)	1320 (W) x 1550 (D)



**Elevation A**

**Elevation B**

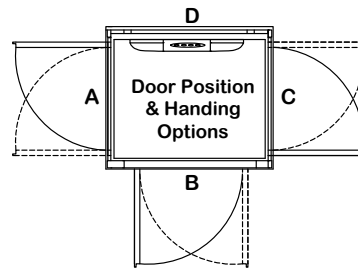
**Elevation C**



**TYPICAL DRAWING ONLY**  
NOT TO BE USED FOR CONSTRUCTION

**HYDRAULIC**  
**PLATFORM LIFT**

Platform Size	Footprint
900 (W) x 1400 (D)	1120 (W) x 1550 (D)
1100 (W) x 1400 (D)	1320 (W) x 1550 (D)



**A Side**

**B Side**

**C Side**

